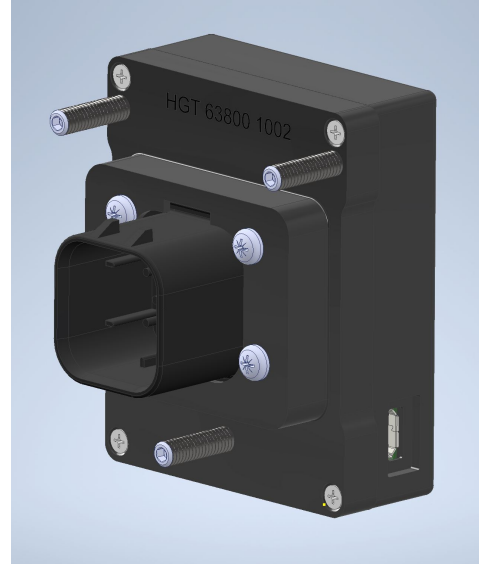


## HGT PROGRAMMABLE GEAR POSITION DISPLAY

### BULKHEAD MOUNT TYPE - DATA SHEET



#### Description

Programmable gear position display for motorsports application.

Supplied with configuration software for Windows.

For HGT sequential gearbox or any generic brand of sequential gearbox that uses an analog output voltage gear position sensor

Selectable color configurations.

Selectable from R, N, 1, 2, 3, 4, 5, 6, 7.

Temperature reading for Gear oil temperature or any Fluid temperature. Selectable display, Degrees C or Degrees F

Shift Light – display changes color to red at predetermined RPM thresholds, individual set points programmable for each gear.

Dimmer function for night driving, selectable pull up or pull down input, dimmer level programmable 0 to 100%.

#### Display section:

61mm TFT

Resolution 240X320

Colors 262K

Viewing angle – All

#### Screen colors, selectable from :

Background = White, Black, Blue, Green, Red, Orange, Cyan

Letters = White, Black, Blue, Green, Red, Orange, Cyan

#### Housing

Robust billet CNC aluminum, anodized satin black.

Uses 3 x M4 mounting studs see sketch for dimensions.

**Ratings:**

Operating temperature -20 to +70 Deg C

Rating= IP65

Voltage input range 6V to 16V

Unit weight = 100 grams excluding loom

**Port:**

Micro USB Type B

**Analog input signal**

0.1 to 4.9V from gear position sensor

**Reverse Gear position indication "R"**

Selectable, either by gear position sensor direct voltage signal input

Or

External input signal pull up or pull down, selectable

**Temperature input sensor linearization:**

Bosch M12 motorsports temperature sensor.

**RPM speed signal**

Digital input pulse 0- 16,000 RPM

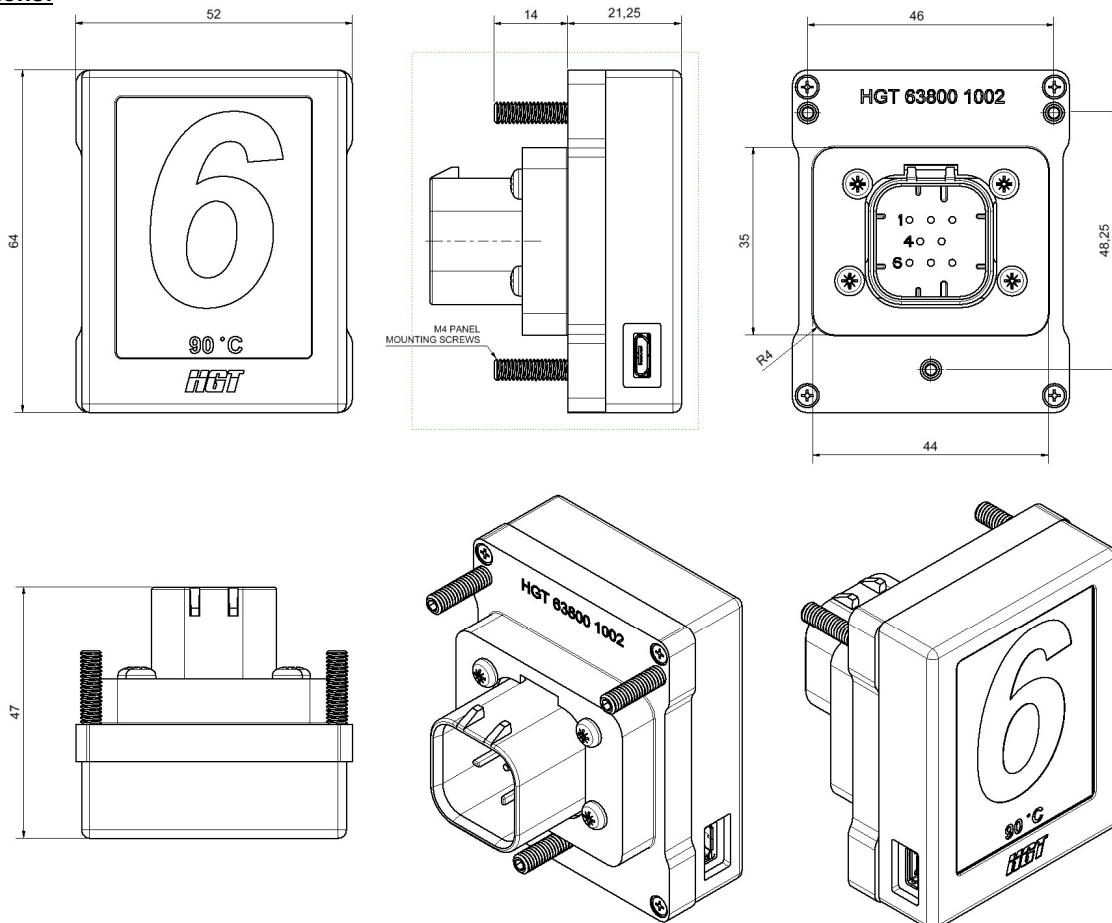
**Wire harness**

Motorsports grade pre-made multi part wire loom using DTM type connectors and strain relief. AMP 8 pin head connector.

Cores 24 AWG Teflon Internal clamp strain relief at cable exit from case.

Refer to wiring diagram and program instructions for installation.

**Dimensions:**



Dashboard panel cut out dimensions

